

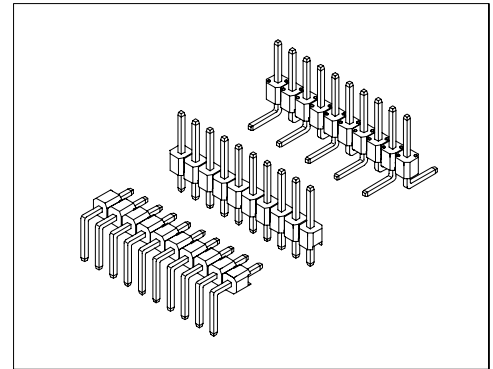
Specifications/技术参数:

Electrical/电气特性:

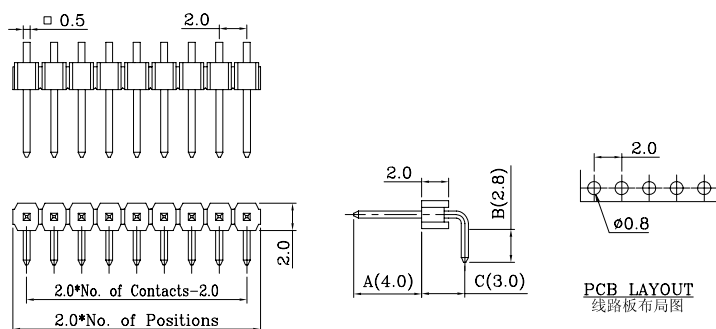
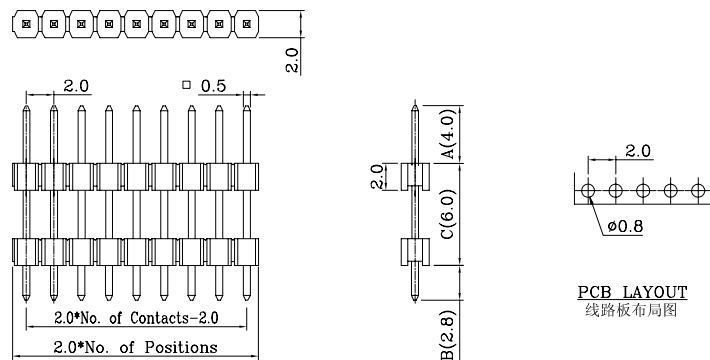
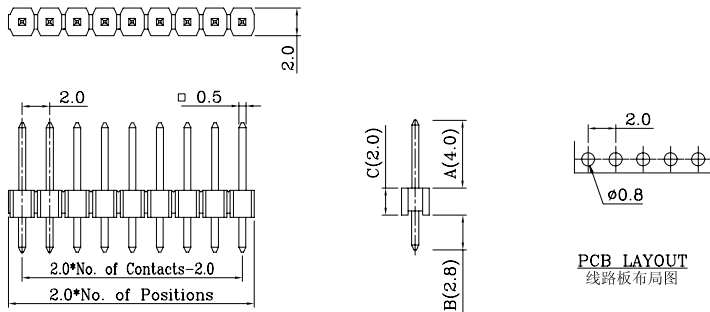
Current Rating(额定电流): 1.5A
 Withstand Voltage(耐压值): 500VAC for one minute
 Contact Resistance(接触电阻): 20mΩ max
 Insulation Resistance(绝缘电阻): 1000MΩ min
 Operating Temperature(工作温度): -40°C ~ +105°C

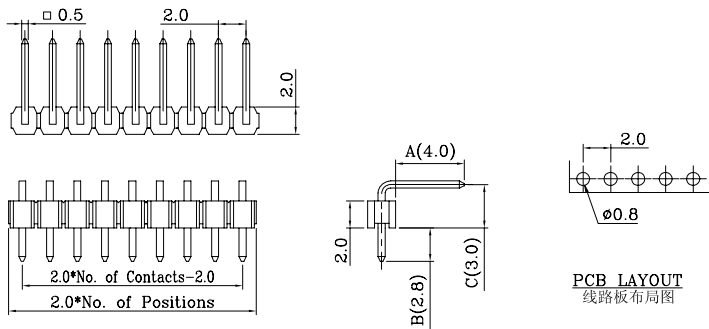
Physical/物理特性:

Insulator(塑胶本体): P.B.T or PA6T +30% GF, Color Black
 Flammability Rating(防火等级): UL 94V-0
 Contacts(接触件): Brass
 Contacts plating(接触件电镀): Gold flash over Nickel



Dimension/尺寸: mm

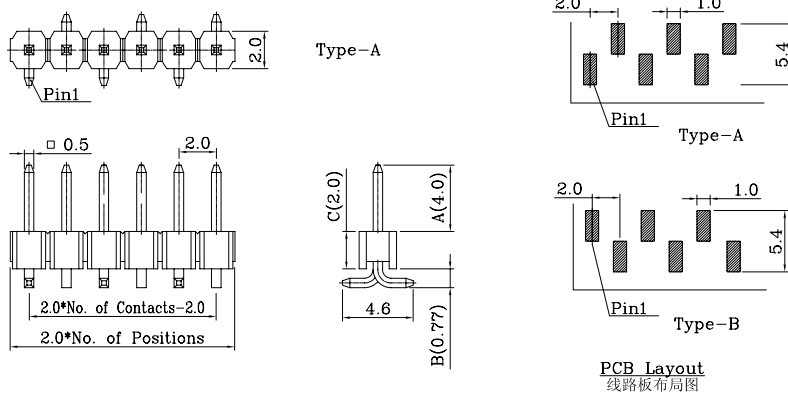




Single row 02 to 40 contacts/单排2-40芯

Base height/塑体高度: 2.0mm standard
C = 3.0mm (standard)

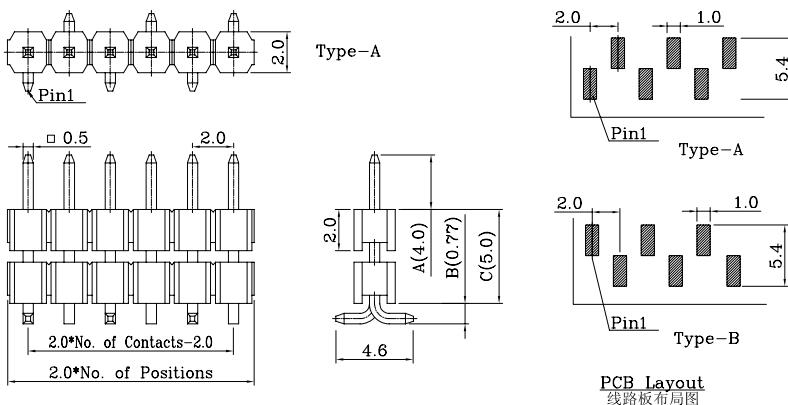
Ordering Code/订购型号:
201-2U-1*nPG-4.0/2.8



Single row 02 to 40 contacts/单排2-40芯
0.5mm Square post/0.5mm四方针

Base height/塑体高度: 2.0mm standard
C = 2.0mm (standard)

Ordering Code/订购型号:
201-2SMS-1*nPG-4.0/0.77-A

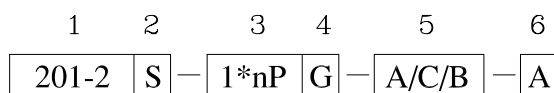


Single row 02 to 40 contacts/单排2-40芯
0.5mm Square post/0.5mm四方针

Base height/塑体高度: 2.0mm standard

Ordering Code/订购型号:
201-2DLSMS-1*nPG-4.0/5.0/0.77-A

Ordering Code/订购型号:



1. Series No./系列号: 201-2

2. PCB Mount Type/安装类型:

- S = Vertical DIP Type(直插)
- U = Horizontal DIP Type(正弯插)
- R = Right Angle DIP Type(弯插)
- SMS = Vertical SMT Type(立贴)
- DLS = Dual Bodies Vertical DIP(双塑体直插)
- DLSMS = Dual Bodies Vertical SMT(双塑体立贴)

3. Poles/位数:

1*2P ~ 1*40P

4. Contacts plating/接触件电镀:

- S = Selective Gold(半金)
- G = Gold flash(全金)
- G3 = 3μ" Gold(镀金3μ")

5. Pin Dimension/方针尺寸:

A/C/B

6. Options/选项:

- A = Type-A (正脚位)
- B = Type-B (反脚位)

*The size of the C may be omitted when it is standard.

*当C的尺寸是标准值时, 在型号中能够可以省略不写。